

Art Plus Family

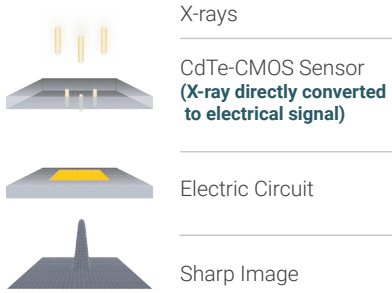
Premium technology
for **superb quality**



Premium technology for superb quality

FONA Art Plus is an advanced digital panoramic system with the latest premium CdTe-CMOS sensor technology. It combines extraordinary image quality, sharpness and contrast with advanced diagnostic tools. Due to the special sensor technology and continuous autofocus function, FONA Art Plus always delivers properly focused images, in both Pan and Pan Ceph versions.

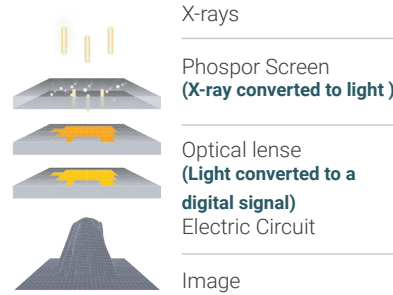
CdTe-CMOS sensor



Premium Art Plus technology

Direct conversion of X-rays to electrical signals increases the image clarity and contrast while reducing the readout time and dose.

CCD/CMOS sensor



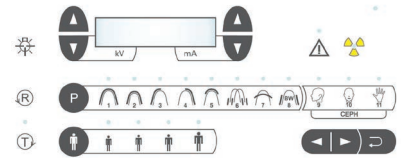
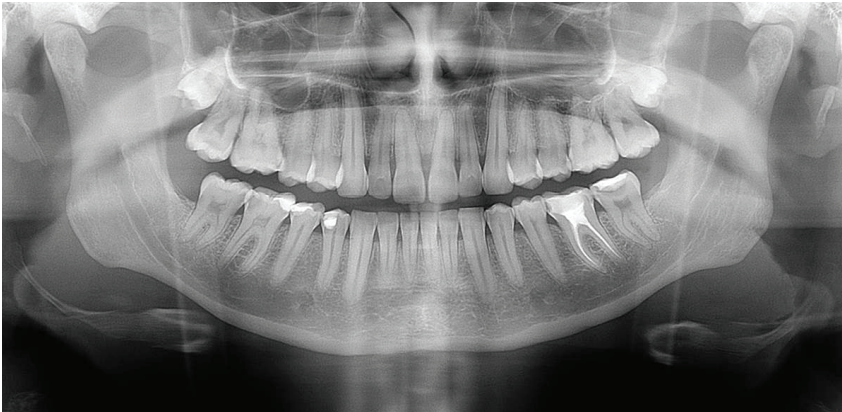
Traditional technology

Traditional acquisition uses conversion of X-rays to light before detection, causing some information loss, blurring and readout delays.

Wide focal zone up to 30 mm

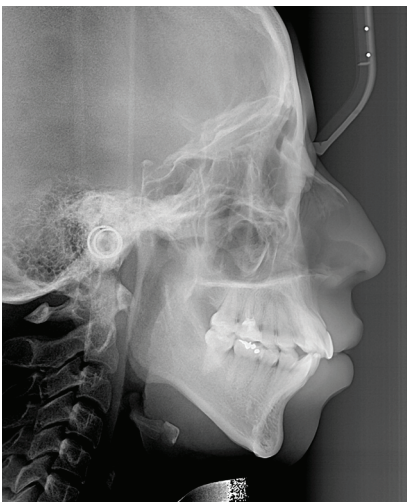
Due to patented algorithms, the focal one is up to 30 mm wide, instead of traditional 4 mm. Your region of interest will always be in focus.

Latest sensor and autofocus technology for the best image quality



Only 2 steps to go

Simply select program (8 Pan or 3 Ceph) and patient size (4 options). All exposure settings will be set automatically. Presets can also be adjusted manually.



Single sensor for both applications

Get the best quality panoramic and cephalometric images. Just click the sensor to the position where you need it.

Excellent image quality

Latest direct conversion technology for high resolution, extraordinary sharpness, clarity and lower dose.

Easy to operate

Intuitive and fast setting of the exposure program with just 2 clicks.



Continuous autofocus

No more blurred images and additional exposures – the region of interest is always in focus.

| | |
|----------------------------------|---|
| Receptor technology | CdTe (Cadmium Telluride) CMOS sensor |
| Image resolution | >5 lp/mm |
| Dynamic range / Grayscale | 16 bits / 65.536 gray shades |
| Exposure time Pano / Ceph | 2.2 - 14.2 s / 8 - 10 s |
| PC connection | PCI express |
| Focal Spot | 0.5 (IEC 60336) |
| Tube Voltage | 61 - 85 kV |
| Tube Current | 4 - 10 mA |
| Weight Pano / Ceph | 98 kg / 120 kg |

Panoramic programs

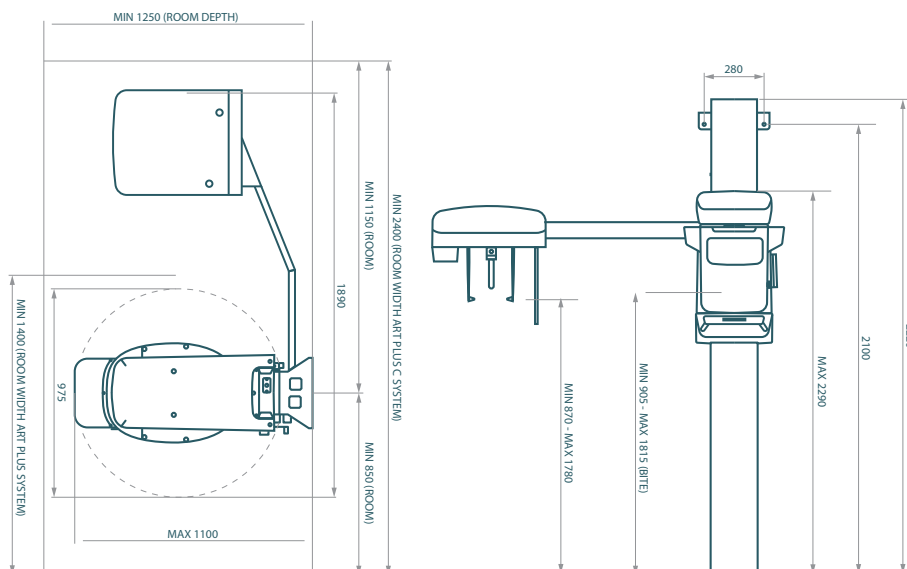
(1) Adult panoramic. (2) Child panoramic. (3) Left-Side Dentition. (4) Right-Side Dentition. (5) Anterior Dentition. (6) TMJ in normal occlusion and fully open. (7) Frontal view of Maxillary Sinus. (8) Bitewing.

Cephalometric programs

Antero-Posterior (AP). Latero-Lateral (LL). Carpus. Sub-Mento Vertex (SMV) in AP mode.

Patient size presets

(1) Large. (2) Medium. (3) Small. (4) Child.



Italian Radiology

Through more than 20 years of experience in production, we design and develop extraoral and intraoral equipments for dental clinics, radiographic centers, hospitals and research institutes. Advanced technology connected with your devices for analysis and diagnosis. Based in Milano, Italy, we have more than 10.000 panoramic units and 60.000 intraorals installed worldwide. We provide with international support and assistance always caring about our customers and people.

Latest technology and people caring

Digital dentistry

Intraoral imaging



Extraoral imaging



Intraoral sensors



Based in Italy, available worldwide



Copyright FONAI s.r.l., All rights reserved, Subject to technical changes and errors in text, BRO002, v2, ENG, 202301

Count on us



Clinical Cases



Online Training



Remote Support



HotLine Support

Headquarter

FONAI s.r.l.
Via G. Galilei 11
20057 Assago (MI) - Italy

Contacts

info@fonaitaly.com
www.fonadental.com



DIGITAL BROCHURE

CE
0051

